

PRS-EXA(-S)(-W)
 PRS-EXB(-S)(-W)
 PRS-EXC(-S)(-W)

PRS Series Adjustable Projector Ceiling/Wall Mount Kit

For Multimedia Projectors up to 25 lb (11 kg)

Peerless has packaged flexibility and ease together in one box with these ceiling/wall mounting kits, which enable the installation of a projector from either the ceiling or the wall. Each kit includes a PRS Series Projector Mount and an adjustable length extension column that provides ideal height positioning for the perfect projector installation. The extension column provides cable-management that organizes signal and power cables for a clean, clutter-free appearance. This complete projector mounting kit supplies everything needed for an easy projector installation in one convenient package.



Max load: 25 lb (11 kg)

FEATURES

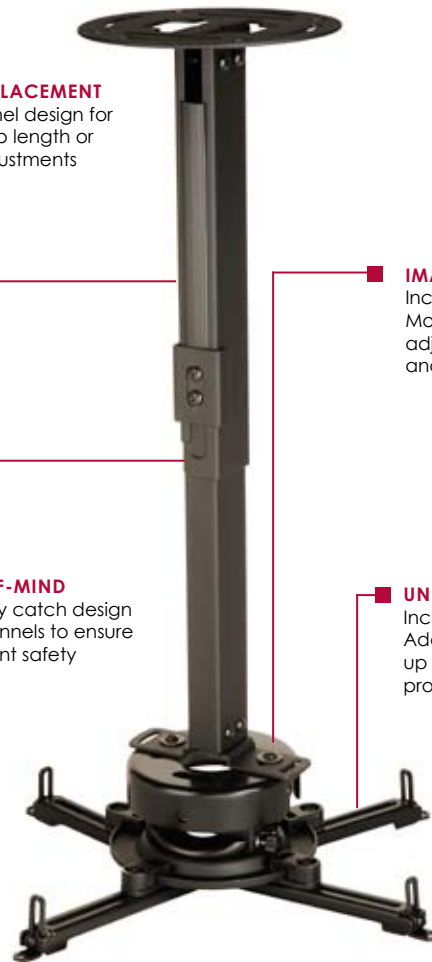
- Continuous channel design for uninterrupted drop length or wall extension adjustments
- Three adjustable extension lengths:
 - PRS-EXA models: (ceiling/wall) 8.7"-12.8" (221-325 mm)
 - 9.72" -13.86" (247-352 mm)
 - PRS-EXB models: (ceiling/wall) 12.68"-20.67" (322-525 mm)
 - 13.74" - 21.73" (349-552 mm)
 - PRS-EXC models: (ceiling only) 19.13"-32.91" (486-836 mm)
- Safety catch designed into extension to ensure user and equipment safety
- Mounts to ceiling or wall (according to model) with included wall mount interface
- Spider® Universal Adapter Plate extends up to 17.63" (448 mm) to fit most projector models
- Internal cable management within channels for clean, clutter-free appearance
- Includes PRS Series Projector Mount for precise image alignment
- Specifications:
 - Tilt: +5° / -20°
 - Roll: ±10°
 - Swivel: 360°

■ **ACHIEVE IDEAL PLACEMENT**
 Continuous channel design for uninterrupted drop length or wall extension adjustments

■ **IMAGE ALIGNMENT MADE EASY**
 Includes PRS Series Projector Mount that features four independent adjustment points allowing for quick and precise image alignment

■ **ADDED PEACE-OF-MIND**
 Incorporates safety catch design into extension channels to ensure user and equipment safety

■ **UNIVERSAL COMPATIBILITY**
 Includes the Spider® Universal Adapter Plate which extends up to 17.63" (448 mm) to fit most projector models



Safety Catch Mechanism



Wall Adapter Included with PRS-EXA & PRS-EXB



RoHS
 2002/95/EC

Model Numbers

PRS-EXA(-S)(-W):	PRS Series Adjustable Projector Ceiling/Wall Mount Kit
PRS-EXB(-S)(-W):	PRS Series Adjustable Projector Ceiling/Wall Mount Kit
PRS-EXC(-S)(-W):	PRS Series Adjustable Projector Ceiling Mount Kit

Product Specifications

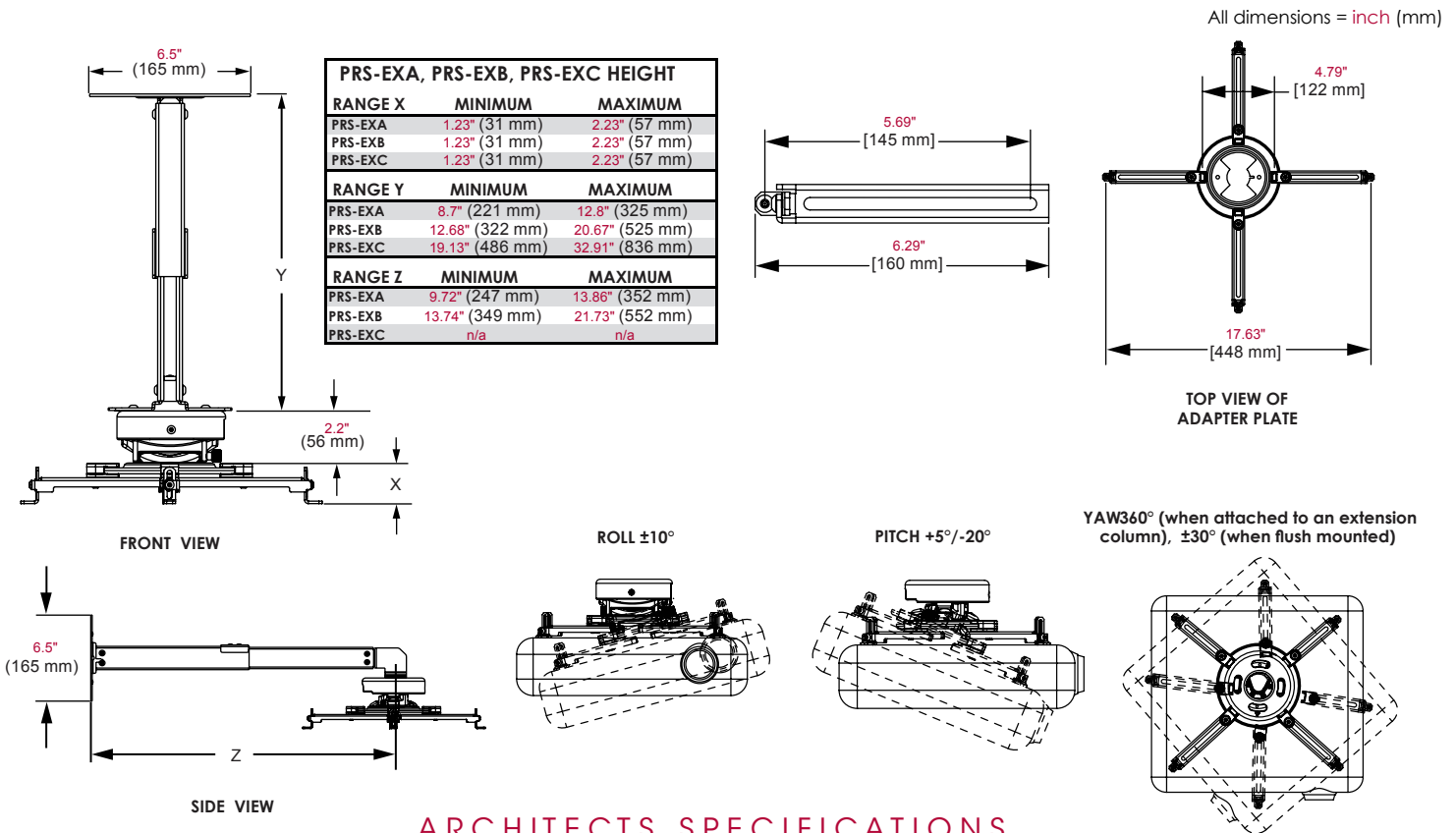
	DIMENSIONS (W x H x D) with adapter plate	PRODUCT WEIGHT	LOAD CAPACITY	FINISH	AVAILABLE COLORS
PRS-EXA(-S)(-W)	8.5-17.63" x 8.7"-12.8" x 8.5-17.63" (216-448 x 221-325 x 216-448 mm)	6.52 lb (2.96 kg)	25 lb (11 kg)	Scratch resistant fused epoxy	PRS-EXA: Black
PRS-EXB(-S)(-W)	8.5-17.63" x 12.68"-20.67" x 8.5-17.63" (216-448 x 322-525 x 216-448 mm)	6.88 lb (3.12 kg)			PRS-EXA-S: Silver
PRS-EXC(-S)(-W)	8.5-17.63" x 19.19"-32.91" x 8.5-17.63" (216-448 x 486-836 x 216-448 mm)	7.66 lb (3.47 kg)			PRS-EXA-W: White
					PRS-EXB: Black
					PRS-EXB-S: Silver
					PRS-EXB-W: White
					PRS-EXC: Black
					PRS-EXC-S: Silver
					PRS-EXC-W: White

Package Specifications

	PACKAGE SIZE (W x H x D)	PACKAGE SHIP WEIGHT	PACKAGE UPC CODE	PACKAGE CONTENTS	UNITS IN PACKAGE
PRS-EXA(-S)(-W)	9.31" x 4.25" x 12.63" (237 x 108 x 321 mm)	7.46 lb (3.38 kg)	PRS-EXA: 735029258384 PRS-EXA-S: 735029258391 PRS-EXA-W: 735029258407	Wall/ceiling plate, adjustable extension columns, ceiling/wall connection brackets, PRS Series Projector Mount, Spider® Universal Adapter Plate, mounting and projector attachment hardware, assembly instructions	1
PRS-EXB(-S)(-W)	9.31" x 4.25" x 12.63" (237 x 108 x 321 mm)	7.82 lb (3.55 kg)	PRS-EXB: 735029258414 PRS-EXB-S: 735029258421 PRS-EXB-W: 735029258438		
PRS-EXC(-S)(-W)	10" x 4.38" x 19.38" (254 x 111 x 492 mm)	8.99 lb (4.08 kg)	PRS-EXC: 735029258445 PRS-EXC-S: 735029258452 PRS-EXC-W: 735029258469	Ceiling plate, adjustable extension column, ceiling connection bracket, PRS Series Projector Mount, Spider® Universal Adapter Plate, mounting and projector attachment hardware, assembly instructions	

Accessories

ACC-EXC(S)(W): Extension Column



The Universal Projector Ceiling/Wall Mount shall be a Peerless model _____ and shall be located where indicated on the plans. It shall feature Tilt: +20°/-5°, Roll: ±10°, Swivel: 360° (when attached to an extension column), ±30° swivel (when flush mounted), which enables the image to be perfectly aligned with the screen. It shall have a 25 lb load capacity. It shall have a quick release spring loaded screw for easy removal and installation of the projector. It shall be constructed of aluminum alloy finished in black, white, or silver. Assembly and installation shall be done according to instructions provided by the manufacturer.